

R3000 Series

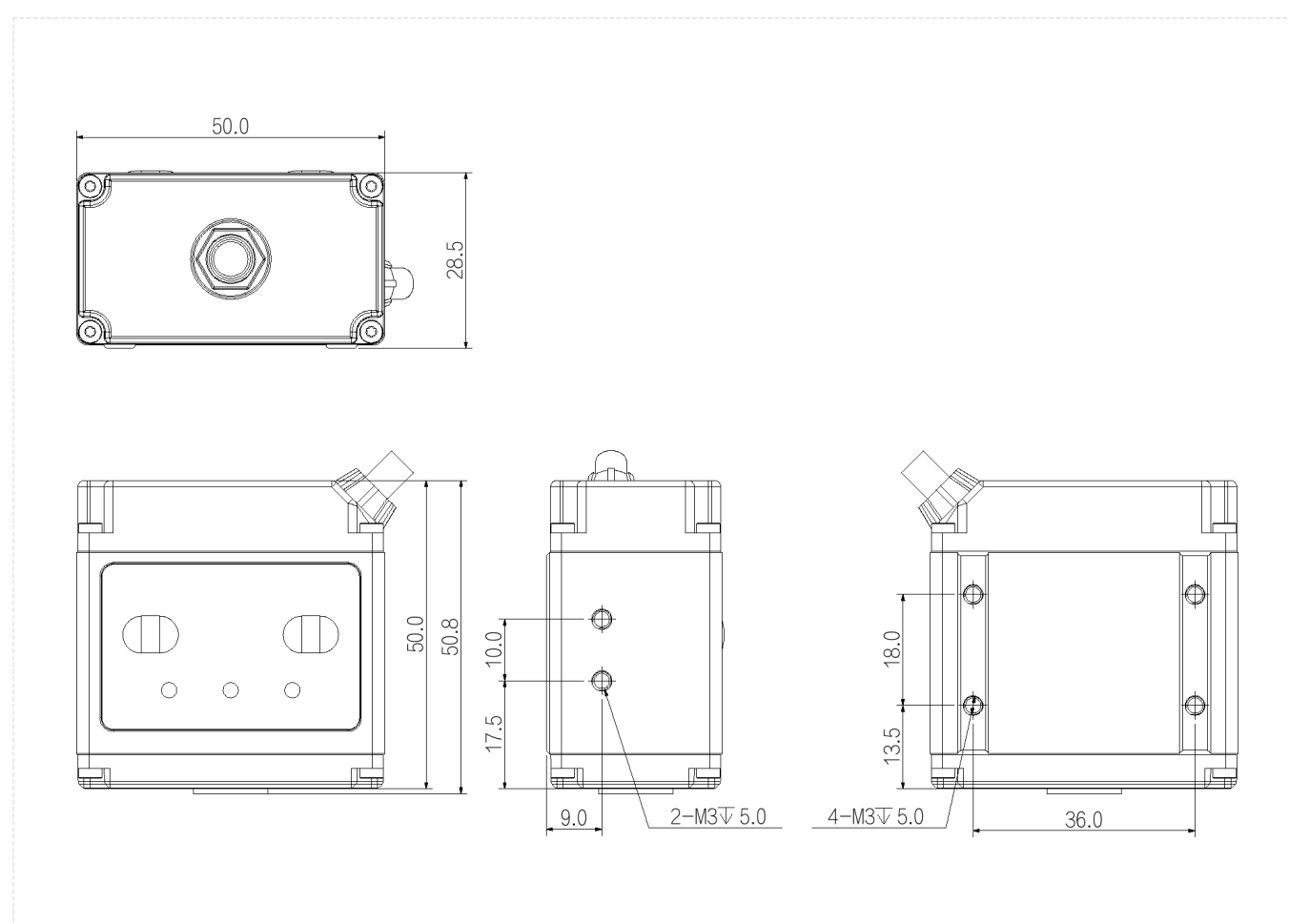
RH3124MG111E



Features

- Built-in Red/white dual light, integrated design;
- Support multiple trigger modes such as software trigger/external trigger/free run;
- Industrial Ethernet interface, provides 100M bandwidth;
- Rich IO interface such as Ethernet, RS232, GPIO;
- 9–26V DC power supply, consumption no more than 2.5W;
- Abundant decoding algorithms, 1D: CODE128/EAN/CODE39/CODE93/CODEBAR/ITF25 etc., 2D: DM/QR/DPM etc.

Dimensions (mm)



Specification

Model		RH3124MG111E
Basic	Resolution	1280 × 960
	Max. Frame rate	20 fps
	Shutter Mode	Global
	Mono/Color	Mono
	Trigger Mode	Software trigger/External trigger/Free run modes
	Software	EasyID
	Certifications	CE, FCC
	Function	ID: Code 39/Code 93/Code128/CodaBar/EAN8/EAN13/UPCA/UPCE/ITF25/2of5 (Industrial2of5) /standard25/GS1-128 etc. and 2D: Data Matrix/MQR/GS1 DM/GS1QR etc.; Quality Evaluation: ISO/IEC 29158(AIM-DPM), ISO/IEC 15415, ISO/IEC 15416)
Performance	Focal Length	6.72mm
	Operating Distance	35-150 mm
	FoV	26 × 20 mm - 88 × 66 mm
	Max. Read Speed	20 codes/s
	Min. Resolution	1D: 0.05mm/2D: 0.09mm
	Focus Control	Manual control
	Light Source type	Red/white dual light
Port	Connector	Industrial M12 connector, support Ethernet and GPIO
	Network Port	100M Ethernet
	GPIO Interface	RS232, 1Opto-isolated input, 1Opto-isolated output,1configurable input/output
	Communication Mode	RS232, Ethernet
	Communication protocol	SDK , TCP Client , TCP Server , FTP , RS232 , Profinet、 Modbus、 EtherNet/IP、 MC(SLMP)、 FINS/UDP、 FINS/TCP
	LED Indicator	Power,Ethernet,Result
Power	Power Supply	Support DC 9V ~ 24V wide range voltage input
	Power Consumption	< 2.0 W
Structure	Product Dimensions	50 mm × 50 mm × 28 mm(cable not included)
	Net Weight	<130 g
	Protection	IP65
	Casing Material	Aluminum alloy + front cover
Environment	Operating Temperature	-20°C ~ +50°C
	Operating Humidity	20% ~ 95%(no condensation)
	Storage Temperature	-30°C ~ +70°C

Connector Pin-out

12 Pin I/O Connector:

Pin	Signal	Description	Cable Color	
1	VCC_EXTPOWER	Power	■	Red
2	PGND	Power GND	■	Black
3	OPT_OUT0	Opto-isolated output	■	Brown
4	OPT_GND	Opto-isolated GND	■	Purple white
5	OPT_IN0	Opto-isolated input	■	Yellow
6	DIRECT_IO	Configurable IO	■	Blue
7	MD1_P	RJ45 port	■	Green
8	MD1_N	RJ45 port	■	Green white
9	MD0_P	RJ45 port	■	Orange
10	MD0_N	RJ45 port	■	Orange white
11	RS232_RXD	Received data	■	Purple
12	RS232_TXD	Transmit data	■	Grey

